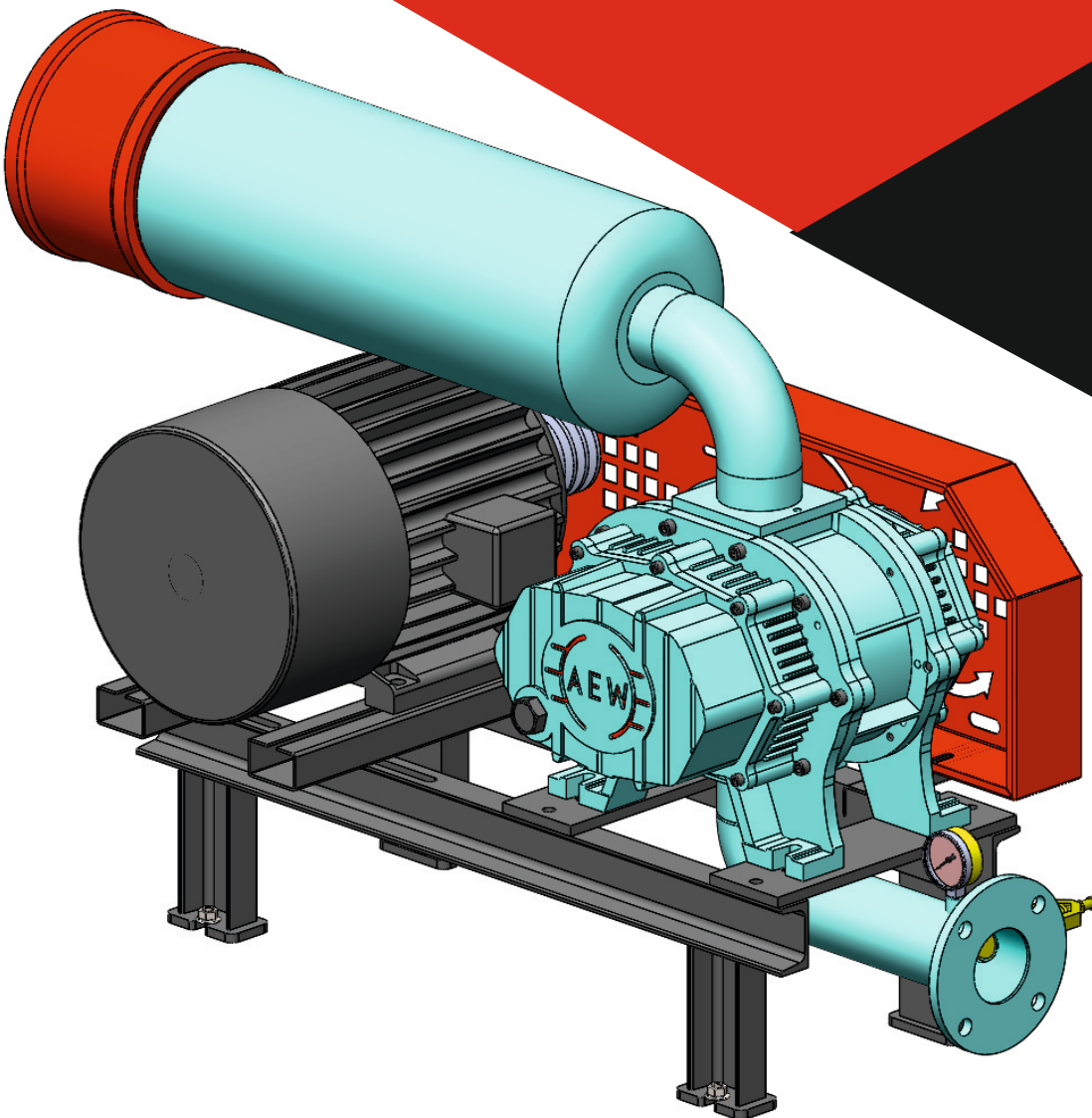




BLOWERS

Positive Displacement Blowers

We Produce The Shape Of Progress



AEW Blowers is a highly reputable company specializing in the manufacturing & distribution of high quality root blowers along with its spares & accessories. With over 4 decades of industry experience of our director, we have established ourselves in 2007, supplying root blowers, its spare parts & their standard accessories that meet the diverse needs of various industries.

Our state-of-the-art manufacturing facility is equipped with latest CNC, VMC machines & operated by a team of skilled engineers & technicians. We adhere to stringent quality control processes to ensure that every root blower manufactured adheres to the highest standards of quality, reliability & performance.

At AEW, we offer a comprehensive range of root blowers designed for various applications, including wastewater treatment pneumatic conveying, aeration & more. Our products are known for their energy efficiency, durability & low maintenance requirements providing our customers with long-term cost saving and peace of mind.

In addition to designing & manufacturing root blowers, we also provide expert technical support, ensuring that our customers receive personalized assistance & guidance throughout the purchase and installation process. Our dedicated customer service team is available to address any inquires, offer troubleshooting assistance & provide after-sales support.

We take pride in our commitment to sustainability & environmental responsibility. Our root blowers are designed to minimize energy consumption & reduce carbon footprints, contributing to cleaner and greener future.

As a customer-centric company, we value long-term partnerships & strive to build strong relationships with our clients. We prioritize open communication, prompt delivery & competitive pricing, ensuring that our customers receive exceptional value with every purchase.

At AEW, we are continuously investing in research & development to innovate & stay ahead of industry trends. Our goal is to remain at the forefront of the root blower manufacturing sector by offering reliable, efficient & environmental friendly solutions.

Whether you require a standard root blower or a customized solution tailored to your specific needs, AEW is the trusted choice. Experience our expertise, quality products & top-notch customer service for all your root blower requirements



VISION

To be recognized as a leading provider of root blowers globally, known for our innovative solutions, superior quality & dedication to customer satisfaction. We aim to continuously improve & expand our product range, while fostering strong partnerships with customers, suppliers & employees that drive mutual growth & prosperity. Our vision also includes promoting sustainability & embracing technological advancements to help shape a cleaner and greener future.



MISSION

To provide high-quality, reliable & efficient root blowers that meet the needs of our customers & contribute to their success. We are committed to delivering exceptional products & unparalleled customer service while ensuring sustainability & environmental responsibility.



VALUES

- Customer focus
- Sincerity at workplace
- Respect for individuals
- Institution building thru skill enhancement
- Transparent communication channels
- Ethics & integrity to know what is right act responsibility our clients colleagues & community.

ADVANTAGES

- In-house blower design & manufacturing capabilities with most state-of-the-Art facilities with most modern techniques & Technology.
- In our blower design, the shaft size is larger than usually used in other make blowers.
- Solid shaft to avoid bending issues & premature failure due to overheat.
- Both side oil designs give better lubrication & effective cooling.
- The clearances between lobes and lobe-side plates are designed with precise design calculations to minimize slippage & enhance the efficiency of the machine.
- All parts are machined in the highly precise CNC machines from both inner & outer faces to get maximum efficiency. It also helps to prevent the frictional heat & reduces the running wear & tear. It increases the overall life of the blower.
- All parts are assembled only on Hydraulic-Press machines which increases assembling accuracy & long life of parts.
- We have certified In-house testing facilities as per BS 1571 Part II.
- All rotor shafts assemblies Dynamically Balanced to Gr 6.3 ISO 1940/1 (1986).
- Every Blower is tested in accordance to Standard Test Procedure (STP01)Based on BS 1571 before dispatch.
- We have Decades of experience in design & manufacturing of blowers for well known brands in India.
- Our motto is to provide highest quality products at the most reasonable cost with the long term reliability to our customers.

APPLICATIONS

- **Water Treatment Plants** for back washing of filter/ mixed beds.
- **Effluent Treatment Plants** for diffused aeration & agitation of effluent/ Sewage.
- **Cement Plants** for Blending, Aeration, Fluidization, Conveying.
- **Aquaculture** for maintaining the dissolved oxygen level.
- **Chemical Plants** for supplying of process air.
- **Electroplating Plants** for oil free air agitation of electrolyte.
- **Paper Plants** knife edge coating, drying, conveying, vacuum pickup.
- **Pneumatic Conveying** Vacuum, pressure & combination conveying of cereals, cement, husk, baggase, granules, powders & other similar materials.

Root blowers, also known as rotary lobe blowers or positive displacement blowers, are devices used to deliver a continuous flow of air or gas at a fixed pressure. They are commonly used in various industrial applications, such as waste water treatment plants, pneumatic conveying systems & power generation. The design of a root blower consists of two counter-rotating lobed rotors within a housing. The rotors have a unique shape that allows them to trap & transport air or gas from the inlet to the outlet of the blower. As the lobes rotate, they create chambers that draw in and compress the air or gas, resulting in a pulsation-free flow. In waste water treatment plants, root blowers are commonly employed for aeration processes, such as in activated sludge systems. The blowers supply oxygen to the micro-organisms responsible for breaking down organic matter in the waste water. They also assist in maintaining the required mixing & agitation in the treatment tanks.

When selecting a root blower, factors such as required airflow rate, pressure, temperature & gas composition should be considered. Proper maintenance, including regular lubrication & inspection, is essential to ensure the efficient & long-lasting operation of these blowers.

CUT-SECTION DETAILS

Rotors

Made from cast iron with stiff design for maximum life. Rotors are manufactured through CNC and 3D machinery control with high precision and accuracy to ensure the highest performance providing with trouble free performance and durability

Casing

All AEW Blowers units are single piece construction and precision machined cast iron, with ribs for strength and consistent thermal behaviour

Shafts

Rotor shafts are alloy steel forgings that allow higher operating pressures and rotation speeds

Seal

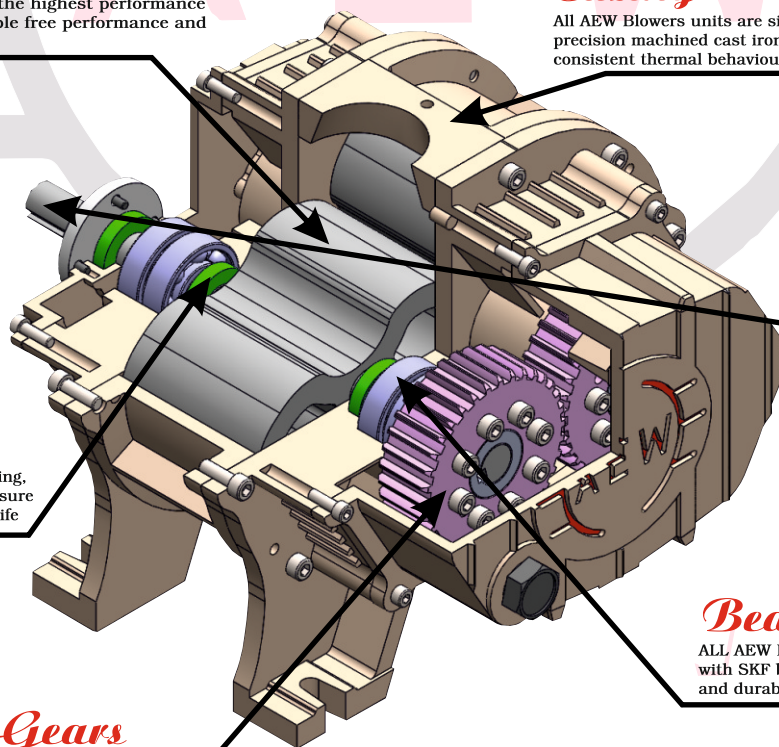
Low-wear, non-contacting, labyrinth-type seals ensure performance and long life

Bearings

ALL AEW Blowers units are equipped with SKF bearings to ensure long life and durability

Timing Gears

Forged steel gears with hardened and ground spur teeth to reduced vibrations and ensures accurate rotor to rotor timings for smooth and efficient operation



PERFORMANCE TABLE

MODEL	IN/OUT	SPEED	1000mmwc		2000mmwc		3000mmwc		4000mmwc		5000mmwc		6000mmwc	
			nb	R.P.M	m ³ /hr	BHP	m ³ /hr	BHP	m ³ /hr	BHP	m ³ /hr	BHP	m ³ /hr	BHP
AEW M-350	32nb	800	31	0.8	25	0.9	21	1.1	17	1.3	14	1.4	11	1.6
		1000	42	1	36	1.2	32	1.4	28	1.6	25	1.8	22	2
		1200	53	1.2	47	1.4	43	1.7	39	1.9	36	2.2	33	2.4
		1400	64	1.4	59	1.7	54	2	51	2.2	47	2.5	44	2.8
AEW M-365	40nb	1000	54	0.9	47	1.1	41	1.4	37	1.7	32	1.9	28	2.2
		1200	69	1	62	1.4	56	1.7	51	2	47	2.3	43	2.7
		1400	84	1.2	76.5	1.6	71	2	66	2.3	62	2.7	58	3.1
		1600	98	1.4	91	1.9	85	2.3	80	2.7	76	3.1	72	3.5
AEW M-390	50nb	1000	74.7	0.8	64	1.2	55	1.6	48	1.9	42	2.3	37	2.7
		1200	95	1	84	1.5	76	1.9	69	2.3	62	2.8	57	3.2
		1400	115	1.2	104	1.7	96	2.2	89	2.7	83	3.3	77	3.8
AEW M-42	40nb	1000	86	0.8	75	1.1	65	1.5	59	1.9	50	2.3	44	2.7
		1200	105	0.9	97	1.4	87	1.8	79	2.3	72	2.7	69	3.2
		1400	124	1.1	113	1.6	104	2.1	98	2.6	91	3.2	85	3.7
		1600	139	1.3	132	1.9	126	2.5	118	3	111	3.7	106	4.2
		1800	162	1.4	151	2.1	144	2.8	137	3.4	131	4.1	123	4.8
		2000	181	1.6	170	2.3	162	3.1	155	3.8	147	4.6	140	5.3
AEW M-44	65nb	1000	135	1.2	124	1.8	114	2.3	105	2.9	98	3.4	93	4.5
		1200	164	1.5	150	2.2	142	2.8	134	3.5	127	4.1	121	4.8
		1400	193	1.8	182	2.5	172	3.3	164	4	156	4.8	148	5.6
		1600	228	2	214	2.9	201	3.8	194	4.6	188	5.5	182	6.4
		1800	245	2.3	236	3.3	229	4.2	223	5.2	218	6.2	213	7.2
		2000	275	2.5	266	3.6	259	4.7	253	5.8	248	6.9	243	8
AEW M-45	80nb	1000	152	1.3	139	2	128	2.7	119	3.4	111	4	104	4.7
		1200	189	1.6	176	2.4	165	3.2	156	4	149	4.9	142	5.7
		1400	227	1.9	213	2.8	203	3.8	194	4.7	186	5.7	178	6.6
		1600	264	2.2	250	3.3	240	4.3	231	5.4	223	6.5	216	7.6
		1800	301	2.4	288	3.7	277	4.9	268	6.1	260	7.3	253	8.5
AEW M-53	65nb	1000	188	1.9	170	2.8	155	3.6	143	4.5	133	5.3	124	6.1
		1200	234	2.3	216	3.3	202	4.3	190	5.4	180	6.4	170	7.4
		1400	281	2.7	262	3.9	248	5.1	236	6.2	226	7.4	216	8.6
		1600	327	3.1	309	4.4	295	5.8	283	7.1	272	8.5	263	9.9
		1800	374	3.5	355	5	341	6.5	329	8	319	9.6	309	11.1
AEW M-55	80nb	1000	234	2.1	212	3.2	195	4.3	180	5.3	167	6.4	155	7.4
		1200	293	2.6	270	3.8	253	5.1	238	6.4	225	7.6	213	8.9
		1400	351	3	328	4.5	310	6	296	7.4	283	8.9	271	10.4
		1600	409	3.4	386	5.1	369	6.8	354	8.5	341	10.2	329	12
		1800	467	3.8	444	5.8	427	7.7	412	9.6	399	11.5	387	13.4
AEW EXPO-2	80nb	1000	234	2.1	212	3.2	195	4.3	180	5.3	167	6.4	155	7.4
		1200	293	2.6	270	3.8	253	5.1	238	6.4	225	7.6	213	8.9
		1400	351	3	328	4.5	310	6	296	7.4	283	8.9	271	10.4
		1600	409	3.4	386	5.1	369	6.8	354	8.5	341	10.2	329	12
		1800	467	3.8	444	5.8	427	7.7	412	9.6	399	11.5	387	13.4

SPARE PARTS



Rotor Set



Timing Gear



Bearing



Oil Seal

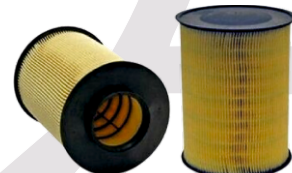
ACCESSORIES



Base Frame



Pressure Gauge



Air Filter



Discharge Line



Suction Silencer



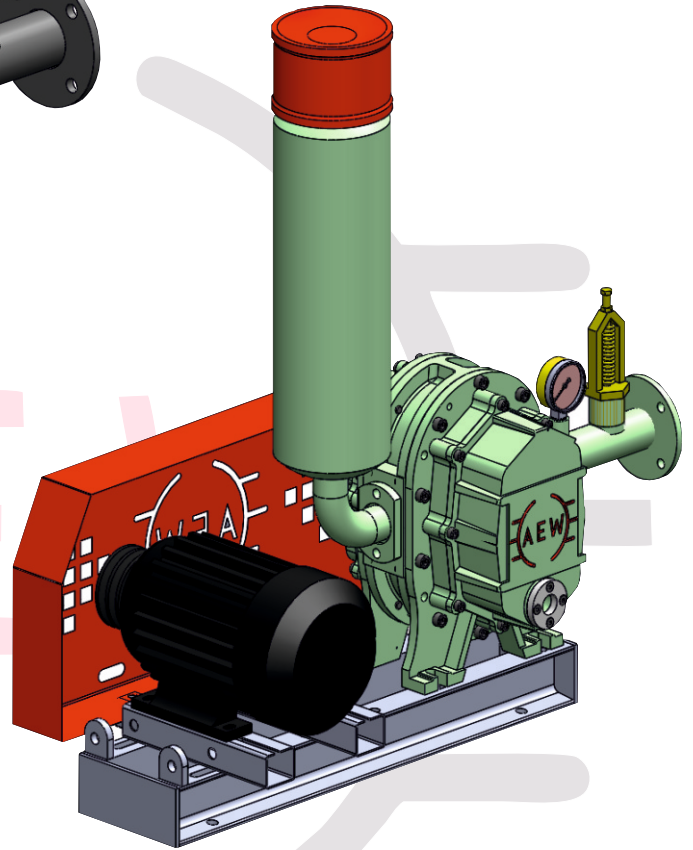
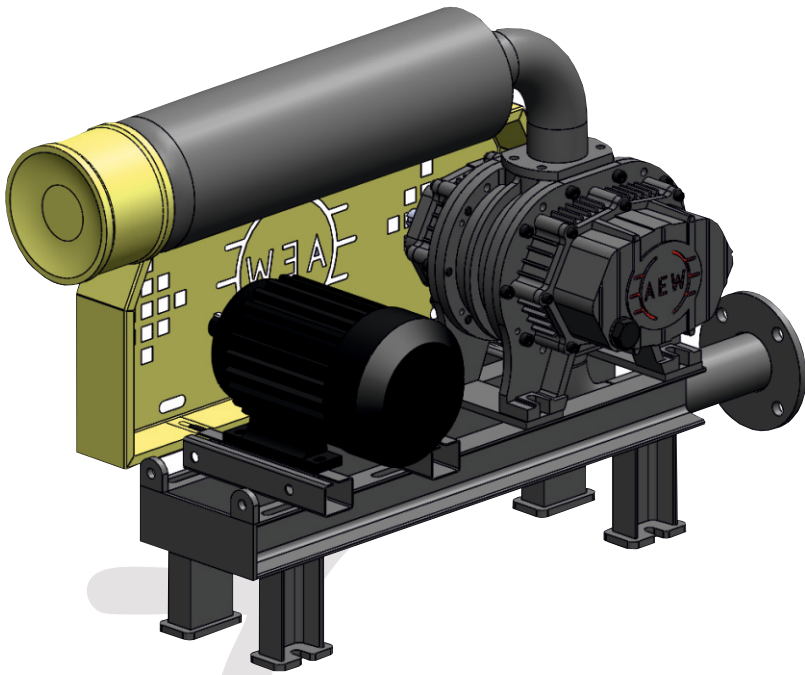
Flanges



Non-Return Valve



Pressure Relief Valve



BLOWERS

Positive Displacement Blowers

We Produce The Shape Of Progress



@AEW Blowers

Factory Address : Kh. No.32/7,
Near Metro Pillar No.779, M.I.E.
Part-A, Bahadurgarh, Distt. Jhajjar
Haryana-124507

Reg. Off.: A-102, Green Palms
Undri, Pune-411060 (Maharashtra)

Ph.: +91-7988313526, 9049800897

E-MAIL : aewblowers@gmail.com
sales.aewblowers@gmail.com

Website : www.aewblowers.com